



PRODUKTINFORMATION

PRODUCT INFORMATION

INFORMATIONS DE PRODUIT

DT 790 / DT 797

Hör-Sprech-Kombinationen

Headsets

Micro-casques

1. Safety Information	10
2. Description	10
3. Connection	10
4. Application	10
5. Maintenance	11
6. Versions	11
7. Spare Parts	11
8. Optional Accessories	11
9. Technical Specifications	11
10. Disposal	13
Frequency Response Curves	20
Polar Patterns	21
Wiring Diagrams	22

Thank you for selecting the DT 790 / DT 797 headset from beyerdynamic. Please take some time to read carefully through this information before using the product.

1. Safety Information

- When connecting the headset, please make sure that the volume is turned down to minimum. Adjust the volume after putting on the headphones. Do not set the volume too high, as you could permanently damage your hearing.
- With wired headsets you should avoid sharp movements, which could cause the headphones to fall off your head. You could be seriously injured especially if you are wearing pierced earrings, spectacles etc. The cable could wind around your neck and cause strangulation.

2. Description

The closed DT 790 / DT 797 headsets provide a good isolation from ambient noise and are suitable for applications in very loud surroundings such as concerts or sports events. The powerful headphone system ensures a high reproduction precision and a balanced sound characteristic. The standard impedance is 80 Ω. In order to avoid damages, the cables in the headband and gooseneck boom are covered. The connecting cable is fixed and single-sided.

DT 790

The DT 790 headset provides a hypercardioid dynamic microphone, which ensures an extremely high gain-before-feedback and noise cancellation.

DT 797

The DT 797 headset provides a cardioid condenser microphone, with a high gain-before-feedback and noise cancellation.

3. Connection

Connect the headsets to devices that are of good quality and of the correct impedance and power ratings to get the best performance from them.

The **DT 790.00** version provides a bare-ended connecting cable. You can mount the appropriate connector. Upon request the connector can also be mounted at the factory.

The **DT 790.28** provides a 4-pin female XLR connector and the **DT 797 PV** comes with a 3-pin male XLR connector and a 1/4" stereo jack plug (6.35 mm).

4. Application

The headband can be set to each head size via the adjustable yokes. The pivoting gooseneck microphone allows wearing the microphone from the left or right ear.

The microphone should be positioned to the side of the mouth about 20 – 30 mm forward. This will keep it within the direct sound path, but out of breath stream and therefore minimising any "pop" sounds.

5. Maintenance

As with any equipment which will be used in close proximity to sensitive parts of the body, it is essential that the ear pads, the headband and the microphone pop shield are kept clean. Use a soft, damp cloth for cleaning the ear pads and headband using only gentle cleansing agents (such as washing-up liquid). Take care not to allow any water drops into the transducer elements and do not use any solvent cleaners.

As ear pads can wear out due to effects of skin moisture, cosmetics and mechanical strains while wearing the headphones, you will need to replace them from time to time.

If you use an additional pop shield for the microphone, you can wash it in warm water. Please make sure that the pop shield is completely dry when it is replaced.

The headset design allows easy servicing, because all parts can be replaced.

6. Versions

DT 790.00	80 ohms, cable 1.5 m (4.92 ft), bare ends	Order # 488.747
DT 790.28	80 ohms, cable 1.5 m (4.92 ft), 4-pin female XLR connector	Order # 488.755
DT 797 PV	250 ohms, cable 1.5 m (4.92 ft), with 3-pin male XLR connector and 6.35 mm stereo jack (1/4")	Order # 497.894

7. Spare Parts

BN 59-53/A	Headband pad	Order # 340.502
EDT 550 S	Ear pads, leatherette	Order # 907.119
WS 97 AZ	Wind shield, charcoal-grey	Order # 465.313

8. Optional Accessories

EDT 770 V	Ear pads, velours	Order # 926.660
-----------	-----------------------------	-----------------

9. Technical Specifications

DT 790

Headphone

Transducer type	dynamic
Operating principle	closed
Frequency response	5 – 35,000 Hz
Nominal impedance	80 Ω / system

Nominal input voltage	2.8 V (= 100 mW at 80 Ω) = 120 dB SPL
Nominal sound pressure level at 1 kHz	100 dB SPL at 1 mW = 0.28 V at 80 Ω
T.H.D.	< 0.2%
Nominal power handling capacity	100 mW = 120 dB = 2.8 V at 80 Ω
Ambient noise attenuation	approx. 35 dBA
Headband pressure	5.5 N
Weight without cable	470 g (1.04 lb)

Microphone

Transducer type	dynamic
Frequency response	40 – 12,000 Hz
Polar pattern	hypercardioid
Output voltage at a distance of 5 cm	approx. 3 mV approx. 1.5 V
Nominal impedance	200 Ω
Load impedance	≥ 1000 Ω
Weight	40 g (0.09 lb)

DT 797

Headphone

Transducer type	dynamic
Operating principle	closed
Frequency response	5 – 35,000 Hz
Nominal impedance	250 Ω / system
Nominal input voltage	2.8 V (= 100 mW at 250 Ω) = 120 dB SPL
Nominal sound pressure level at 1 kHz	100 dB
T.H.D.	< 0.2%
Ambient noise attenuation	approx. 20 dBA
Headband pressure	4.5 N
Connector	6.35 mm stereo jack (1/4")
Weight without cable	395 g (0.87 lb)

Microphone

Transducer type	condenser (back electret)
Frequency response	40 – 20,000 Hz
Polar pattern	cardioid
Output voltage at a distance of 5 cm	5.5 mV/Pa
Nominal impedance	300 Ω
Load impedance	≥ 1000 Ω
Open circuit voltage	5 mV/Pa at f = 1 kHz
Max. sound pressure level	136 dB
Signal-to-noise ratio	64 dB
Power consumption	< 6 mA
Phantom power	12 – 48 V
Connector	3-pin XLR male

Dimensions

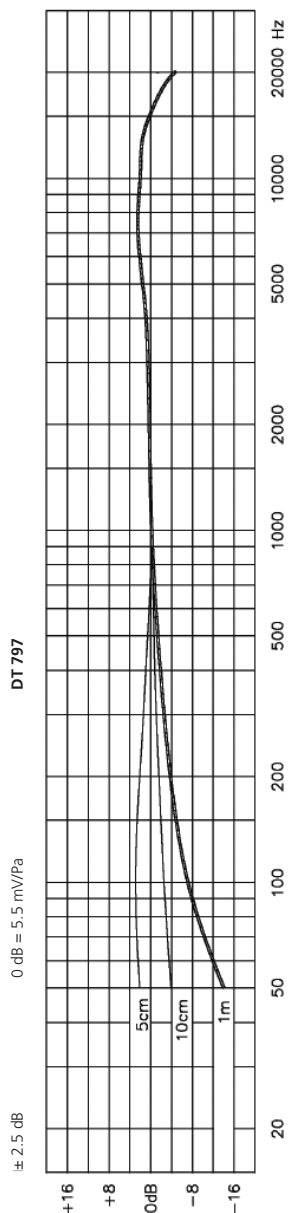
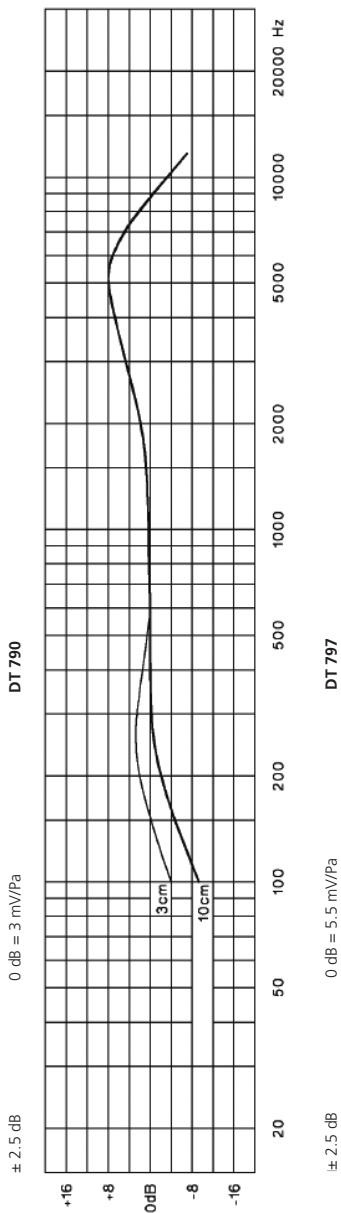
Gooseneck length	120 mm (4.72")
Head diameter	19 mm (0.75")
Weight	30 g (0.07 lb)

10. Disposal

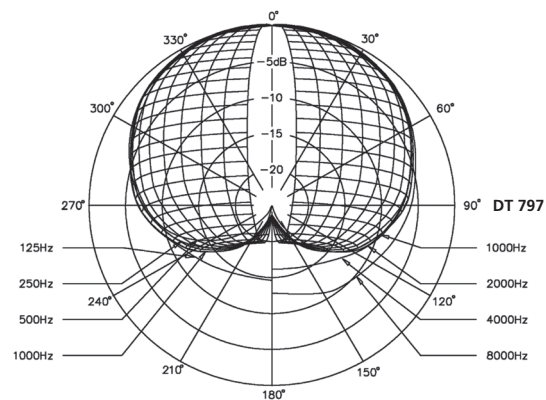
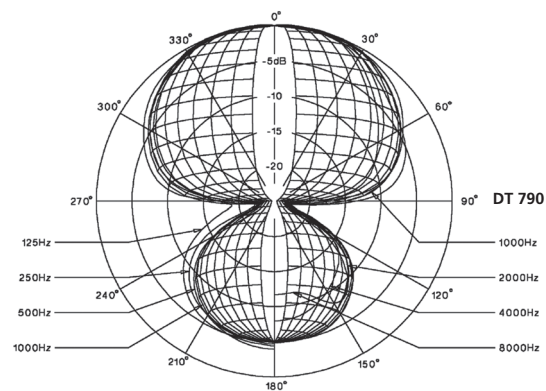
This symbol on the product, in the instructions or on the packaging means that your electrical and electronic equipment should be disposed at the end of its life separately from your household waste. There are separate collection systems for recycling in the EU. For more information, please contact the local authority or your retailer where you purchased the product.



Frequenzkurven / Frequency Response Curves / Courbes de fréquence

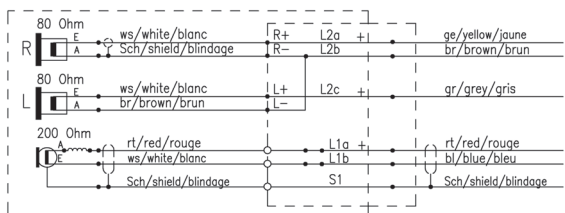


Richtdiagramme / Polar Patterns / Diagrammes de directivité

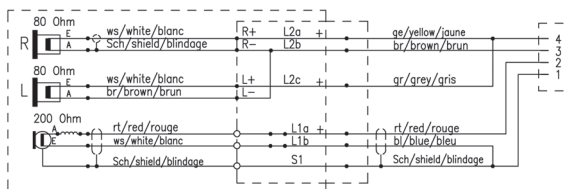


Schaltbilder / Wiring Diagrams / Schémas de connexion

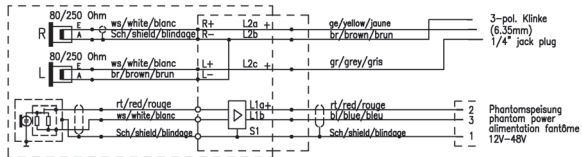
DT 790.00



DT 790.28



DT 797 PV



beyerdynamic))))

beyerdynamic GmbH & Co. KG
Theresienstr. 8 | 74072 Heilbronn – Germany
Tel. +49 (0) 7131 / 617 - 0 | Fax +49 (0) 7131 / 617 - 204
info@beyerdynamic.de | www.beyerdynamic.com

Weitere Vertriebspartner weltweit finden Sie unter www.beyerdynamic.com
For further distributors worldwide, please go to www.beyerdynamic.com



DEF3FD1790 / DT797 (02.11)606.769/hoh. • Änderungen und Irrtümer vorbehalten • Subject to change without notice • Sous réserve de modifications • Printed in Germany