

N/D767a

N/DYM® Dynamic Supercardioid  
Vocal Microphone



## Key Features:

- VOB™ technology provides tailored bass response
- Supercardioid pattern for exceptional acoustic isolation and feedback rejection
- Multistage shock mount for unmatched low-handling noise
- Neodymium based magnet structure provides greater sensitivity and signal-to-noise ratio
- Warm Grip™ handle for more comfortable feel



## General Description:

The N/D767a presents optimal performance in a live sound environment. The 767a vocal microphone utilizes EV's VOB™ (Vocally Optimized Bass) technology to provide the performer with reduced low-end distortion and eliminates the muddiness found in other microphones. Combined with EV's industry first neodymium based magnet structure, the N/D767a offers the power and clarity to "cut through the mix."

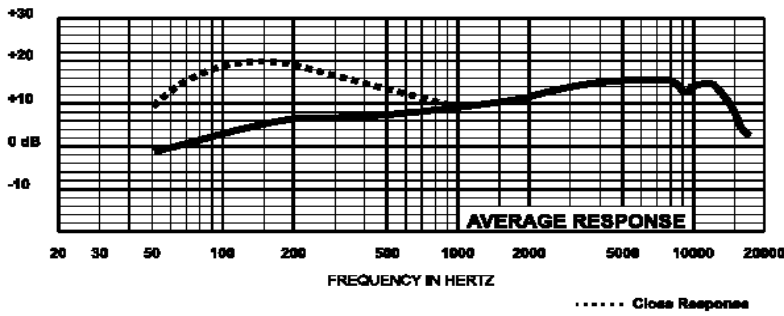
### Operation

The low frequency response of the N/D767a microphone varies with the distance from the sound source. Known as "proximity effect," maximum bass response is produced in "close-up" use with the microphone 1/4 inch from the sound source. Normal bass response is experienced with working distances greater than 24 inches. Working close to the microphone will produce a more robust sound. Close up positioning of the microphone will also reduce the potential for feedback from the sound reinforcement system. When close-talked, the bass-boost provides an increase in overall microphone output level. The mixer gain may be proportionately reduced, resulting in a reduction of the system's sensitivity to feedback caused by sound entering the microphone from the loudspeakers.

## Technical Specifications:

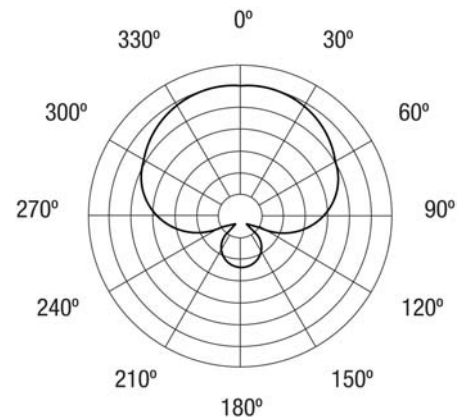
Element:	Dynamic N/DYM® magnet structure
Freq. Response, Close:	35 Hz - 22,000 Hz
Freq. Response, Far:	70 Hz - 22,000 Hz
Polar Pattern:	Supercardioid
Sensitivity, Open Circuit Voltage @ 1 kHz:	3.1 mV/pascal
Dynamic Range:	144 dB
Polarity:	Pin 2 positive, referenced to pin 3 with positive pressure on diaphragm
Impedance:	350 ohms balanced (low-z)
Microphone Connector:	3-pin, XLR-type
Finish:	Non-reflecting black
Materials:	Memraflex™ grille screen Warm Grip™ handle
Accessories Included:	Stand Adapter (Black) Soft Zippered "Gig" Bag
Dimensions, Length:	7.1" (181 mm)
Diameter:	2.1" (52 mm)
Shank:	0.80" (20 mm)
Net Weight:	9.2 oz (260 g)
Shipping Weight:	18.9 oz (535 g)

## Frequency Response:



## Polar Response:

(5 dB per division)  
— 1000 Hz



## Microphone Use and Placement

Please note that micing techniques are a matter of personal preference. These are merely guidelines to assist in the placement of the microphone to gain optimal performance.

### Usage

#### Vocals

#### Spoken Word

### Optimal Placement

Zero to six inches from the windscreen, and on axis with the microphone.

Five to ten inches from the windscreen, and on axis with the microphone.

## Standard Placement & Use Guidelines

1. Always point the microphone at the desired source of sound, and away from any unwanted sources.
2. The microphone should be located close to the sound source to minimize interference from other potential sound sources.
3. Use the 3-to-1 rule when using multiple microphones. Place each microphone three times farther from other microphones as from the desired sound source.
4. Minimize over-handling of the microphone to reduce unwanted mechanical noise.
5. Working close to the microphone will increase the bass tone and also provide increased gain-before-feedback.

**N/D767a Part Number: 16033313**



12000 Portland Avenue South, Burnsville, MN 55337

Phone: 952/884-4051, Fax: 952/884-0043

[www.electrovoice.com](http://www.electrovoice.com)

© Telex Communications, Inc. 6/2006

Part Number 38109-828 Rev. C

U.S.A. and Canada only. For customer orders, contact Customer Service at:

**800/392-3497 Fax: 800/955-6831**

Europe, Africa, and Middle East only. For customer orders, contact Customer Service at:

**+ 49 9421-706 0 Fax: + 49 9421-706 265**

Other International locations. For customer orders, contact Customer Service at:

**+ 1 952 884-4051 Fax: + 1 952 736-4212**

For warranty repair or service information, contact the Service Repair department at:

**800/553-5992 or 402/467-5321**

For technical assistance, contact Technical Support at:

**800/392-3497 or 952/736-4656**

Specifications subject to change without notice.