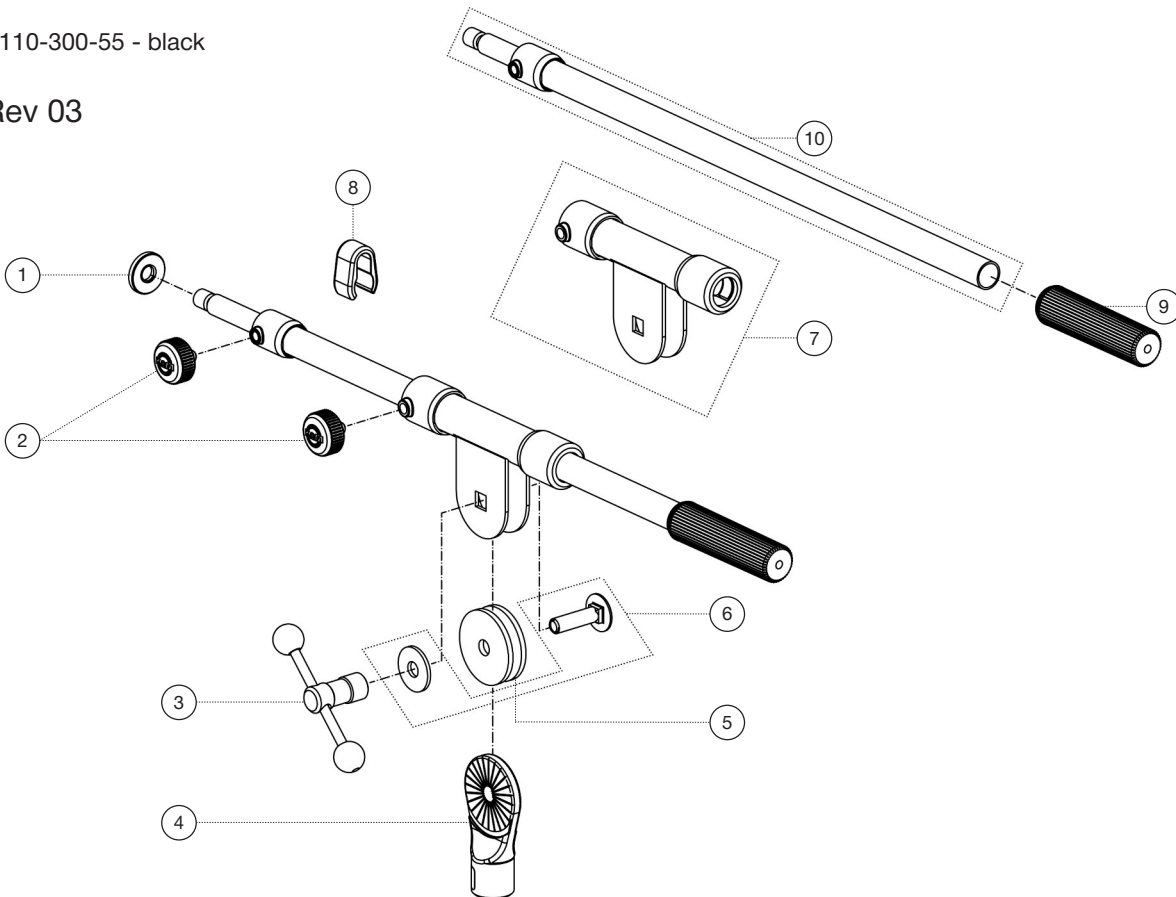


Spare parts list

## 211/1 Boom arm

21110-300-55 - black

\*Rev 03



Position	Description	Article No.	Quantity
1	Aluminum knurled washer	<a href="#">03-31-550-15</a>	1
2	Knurled screw with logo M6 x 12 mm	<a href="#">01-82-828-55</a>	2
3	T-bar locking screw	<a href="#">6-30351-1-55</a>	1
4	Swivel head 3/8"	<a href="#">02-40-430-55</a>	1
5	Rubber washer	<a href="#">03-21-161-55</a>	2
6	Screw connection boom arm	3-00-000-019	1
7	Swivel joint complete	6-21110-5-55	1
8	Cable holder ø 15 mm	<a href="#">01-85-960-55</a>	1
9	Boom arm sleeve	01-95-845-55	1
10	Tube combination	3-00-000-144	1