

12-7XX ES362/ES462 Lande Roof Fan Tray Mounting Details

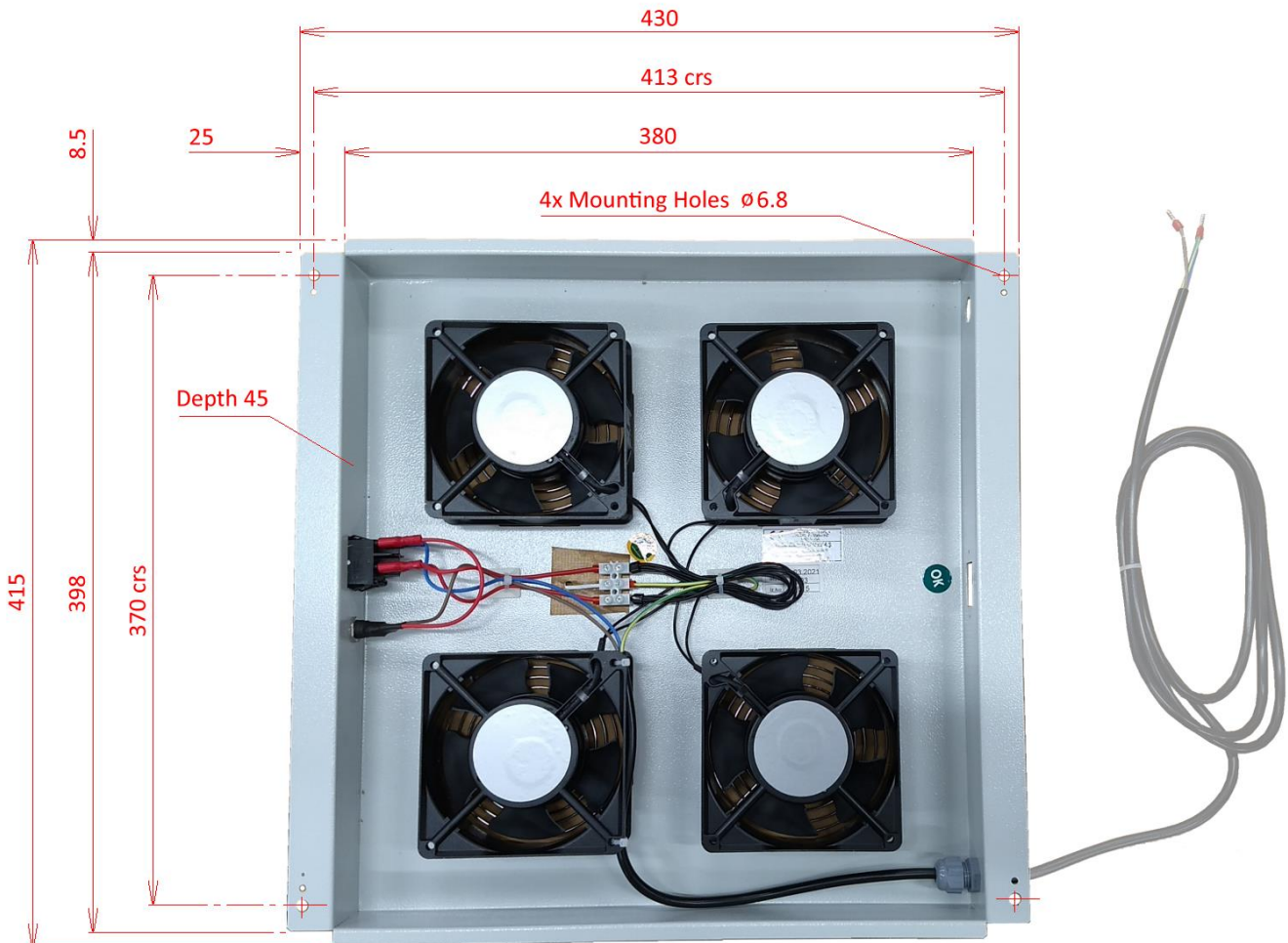
Fan tray units specifically to fit into the roof of Lande ES362 and ES462 Series rack cabinets assisting with the natural convection of the air to increase cooling.

The trays are fitted with two or four fans and are available with either on/off switching or, on/off switching with an analogue thermostat. The trays fix to the top frame of the rack and do not take up any of the rack-mounting space. Due to the 'pagoda' style roof, these units can be fitted or maintained without the need to remove any equipment or adjustment to the construction of the rack frame. They are fitted with fan guards and are fused. Airflow is upwards.

Airflow capacity: 2.3-3 cubic metres per minute (each Fan)
Fan spinning speed: 2550-2750 rpm.
Fan noise: 42 - 47dB.
Fan lifespan: 50000 Hours.
Power source: 220/240V AC, 50/60Hz, 13.8/11.8W.

Power is connected to the modules via a captive unterminated 2 metre cable. Where fitted, the thermostat is connected to the unit via a 1.5m lead, operating at 0 - 35 degrees, for temperature control.

Below is a basic mounting diagram and the next page illustrates a fitting guidance as provided with the unit.



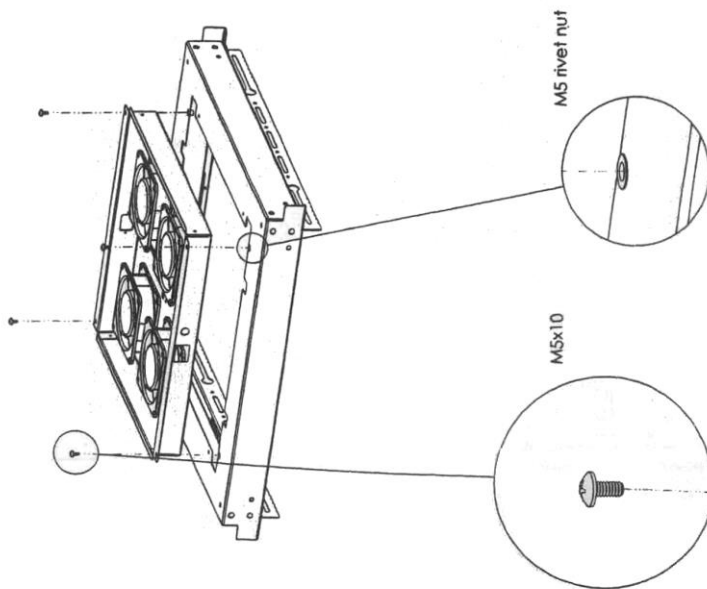
NTS
All Dims mm
All Dims Approx

12-70XX LANDE ROOF FAN TRAY for ES362, ES462 rack Mounting Details

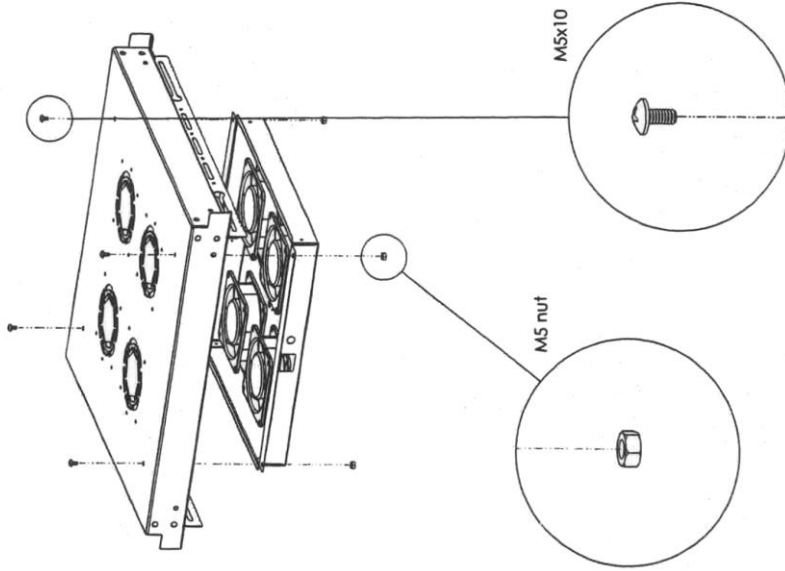
Free standing cabinets fan module mounting instructions

MMK-1001.00/09.04.2013

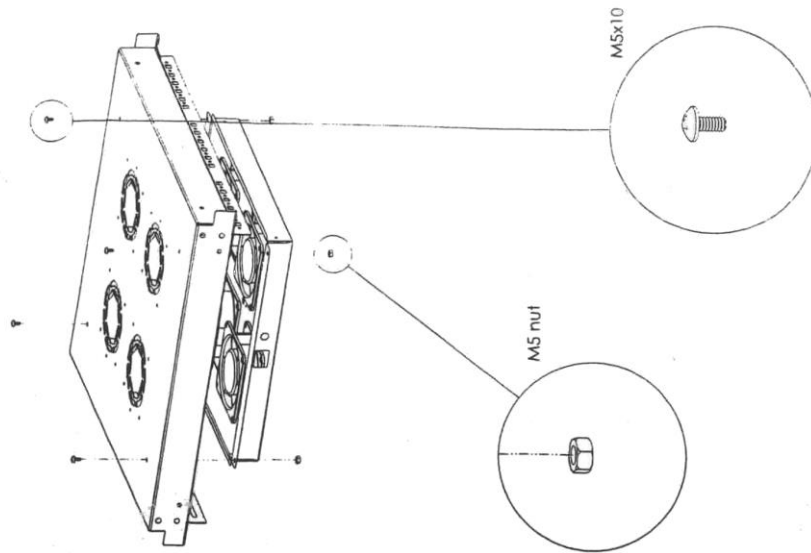
Dynamic free standing cabinets



Dynamic basic free standing cabinets



Eurobox free standing cabinets



FR-063.00/19.03.2013