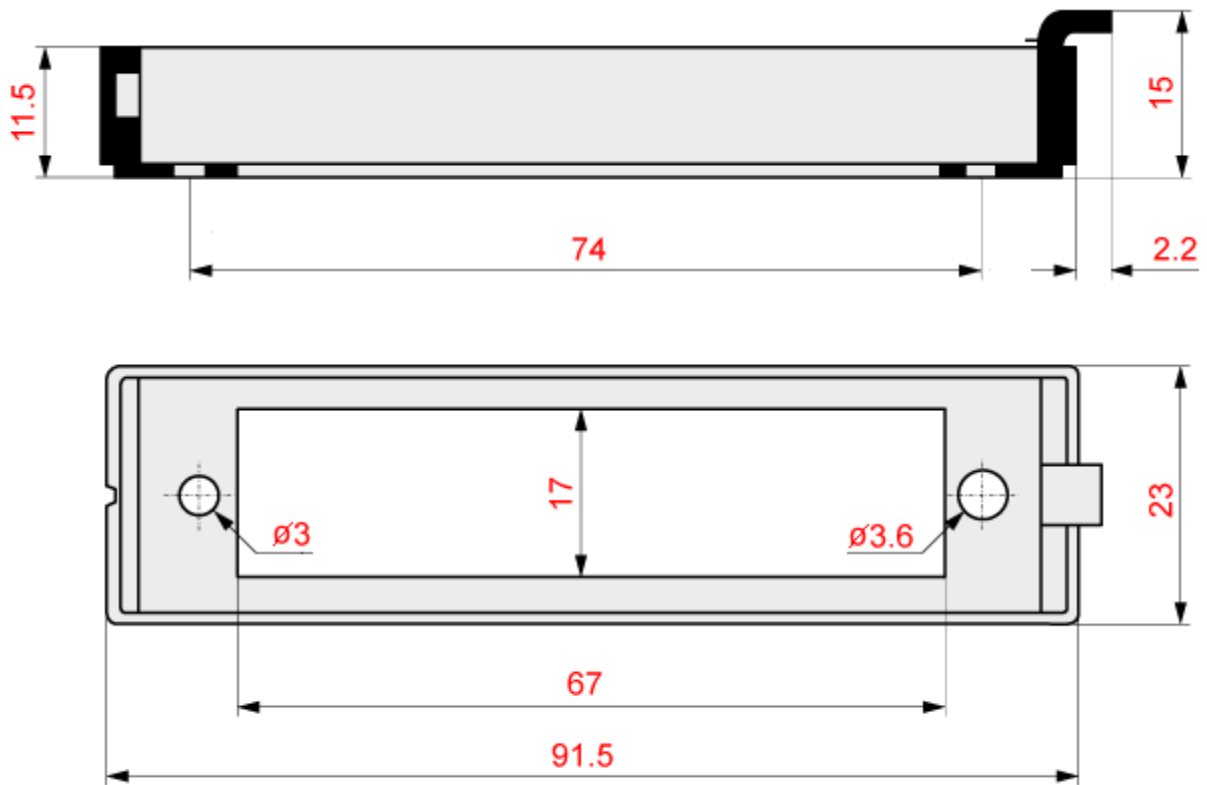




Dimensions



All Dimensions in mm