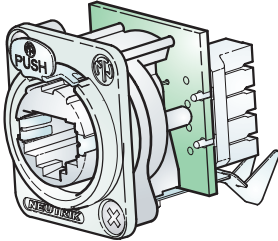




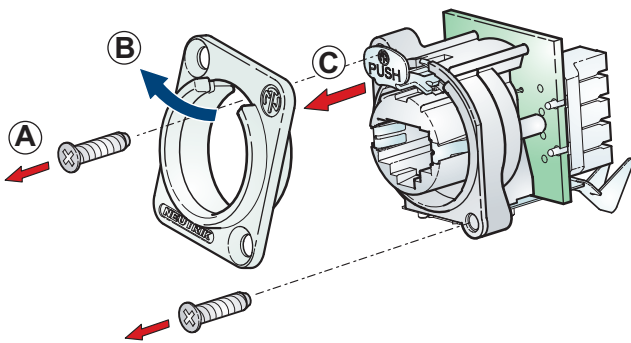
ASSEMBLY INSTRUCTION

etherCON - SE8FD | "Waterproof Kit" for the Receptacle

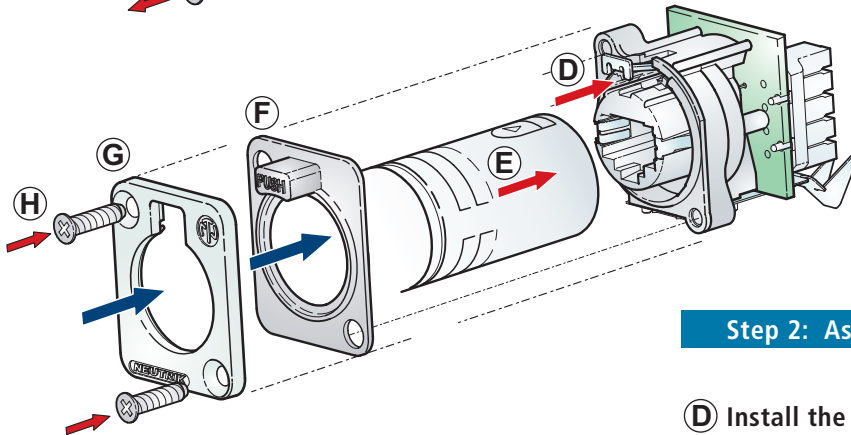
Standard version:



Step 1: Separate the connector



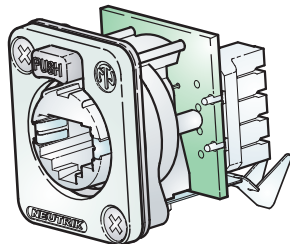
- (A)** Untighten the screw.
- (B)** Remove the flange.
- (C)** Pull out the "Push".



Step 2: Assembly of SE8FD (KIT)

- (D)** Install the new "Push" into the housing.
- (E)** Position a cable housing for centering the kit.
- (F)** Position the rubber gasket.
- (G)** Finish the installation by mount the flange and
- (H)** fasten the screw.

Kit with SE8FD:



NOTE:

Lubricate sealing lip with silicon from time to time.

NEUTRIK AG
NEUTRIK Zürich AG
NEUTRIK USA Inc.
NEUTRIK (UK) Ltd.

LI T: +423 / 237 24 24 F: +423 / 232 53 93
CH T: +41 44 / 736 5010 F: +41 44 / 736 5011
USA T: +1 732 / 901 9488 F: +1 732 / 901 9608
UK T: +44 1983 / 811 441 F: +44 1983 / 811 439

NEUTRIK Vertriebs GmbH DE/NL/AT T: +49 8131 / 280 890 F: +49 8131 / 280 830
NEUTRIK France FR T: +33 1 / 4131 6750 F: +33 1 / 4131 0511
NEUTRIK Tokyo Ltd. JP T: +81 3 / 3663 4733 F: +81 3 / 3663 4796
NEUTRIK Hong Kong Ltd. HK T: +852 / 2687 6055 F: +852 / 2687 6052

Draft. Nr.: BDA 166 / 3102M1361 | Update: 29.09.2009 | Data subject to change without prior notice. ©2009 NEUTRIK®. ALL RIGHTS RESERVED.

www.neutrik.com

NEUTRIK