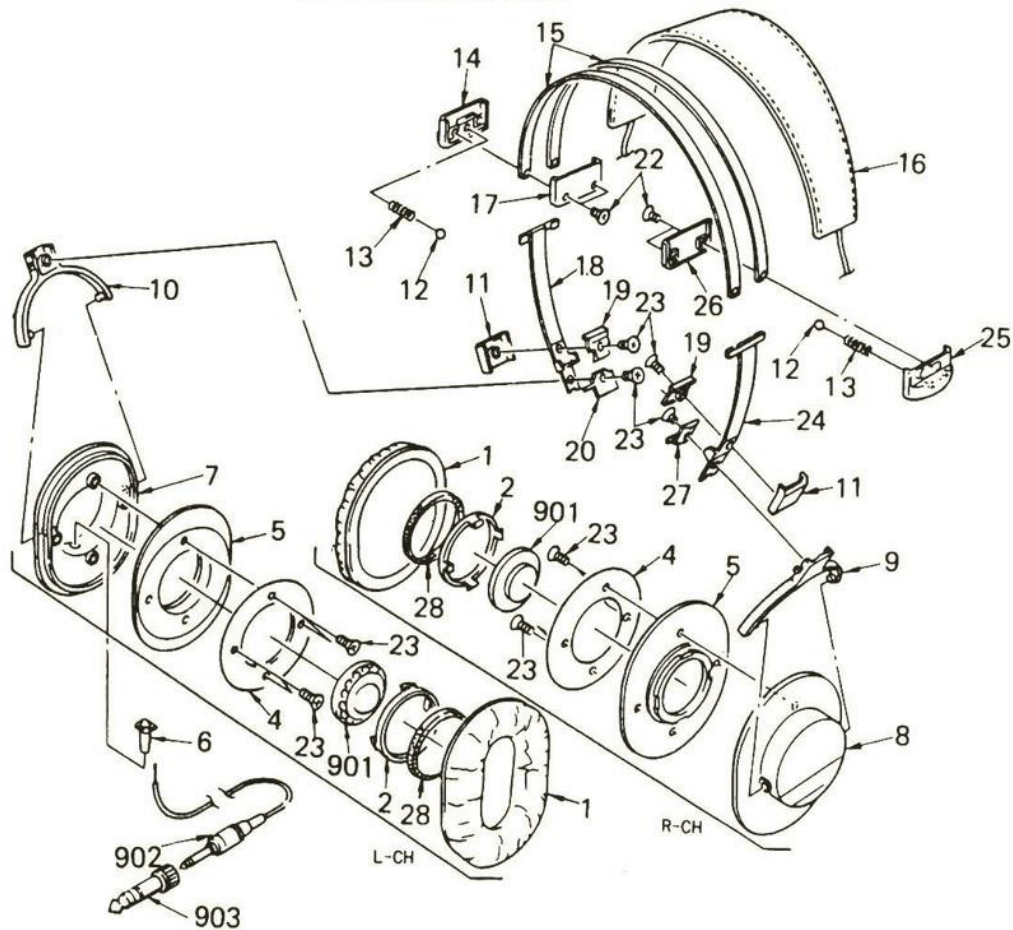


Sony MDR 7506/1 Spares



Part	Sony Ref	Description	Canford Ref
1	X-2113-124-1	PAD ASSY, EAR	54-452 SONY SPARE EARPAD For MDR-7506/1
2	2-113-129-01	STOPPER, DRIVER	
4	2-113-152-02	REGISTER, FRONT	
5	2-113-140-01	PLATE, FRONT	
6	2-113-137-01	BUSHING	
7	X-4941-333-1	HOUSING (LEFT) ASSY	
8	X-4941-334-1	HOUSING (RIGHT) ASSY	
9	2-113-133-11	HANGER (RIGHT)	54-455 SONY SPARE RIGHT YOKE For MDR-7506/1
10	2-113-132-11	HANGER (LEFT)	54-454 SONY SPARE LEFT YOKE For MDR-7506/1
11	2-113-134-11	CASE, HINGE	
12	7-671-113-01	STEEL, BALL 3	
13	2-113-146-01	SPRING, COMPRESSION	
14	X-2113-116-1	CASE (LEFT) ASSY, CLICK	
15	2-113-122-01	BAND, HEAD	54-459 SONY SPARE HEADBAND METAL STRIP (2 required)
16	X-2113-112-1	CUSHION ASSY, HEAD	
17	2-113-124-11	LID (LEFT), CLICK CASE	
18	X-2113-101-1	SLIDER (LEFT) ASSY	
19	2-113-123-11	LID, HINGE CASE	
20	2-113-130-11	LID (LEFT), HANGER	
22	7-685-235-19	SCREW +KTP 2.6X10 TYPE2 SLIT	
23	7-685-232-19	SCREW +KTP 2.6X5 TYPE2NON-SLIT	
24	X-2113-102-1	SLIDER (RIGHT) ASSY	
25	X-2113-115-1	CASE (RIGHT) ASSY, CLICK	
26	2-113-125-11	LID (RIGHT), CLICK CASE	
27	2-113-131-11	LID (RIGHT), HANGER	
28	2-113-149-01	RING, URETHANE	
901	1-542-491-11	DRIVER (040F001P)	54-451 SONY SPARE EAR LOUDSPEAKER For MDR-7506/1
902	1-580-792-21	CORD (WITH PLUG)	54-457 SONY SPARE CABLE For MDR-7506
903	1-506-589-11	ADAPTOR, PLUG	54-458 SONY SPARE PLUG ADAPTER