



USB3 cross-wired female to female keystone coupler

This USB3 keystone coupler can be used to extend a USB3 A-A cable. With its standardised dimensions it can be used for easy snap-in mounting in a keystone patch panel, face plate or surface-mount box.

Features

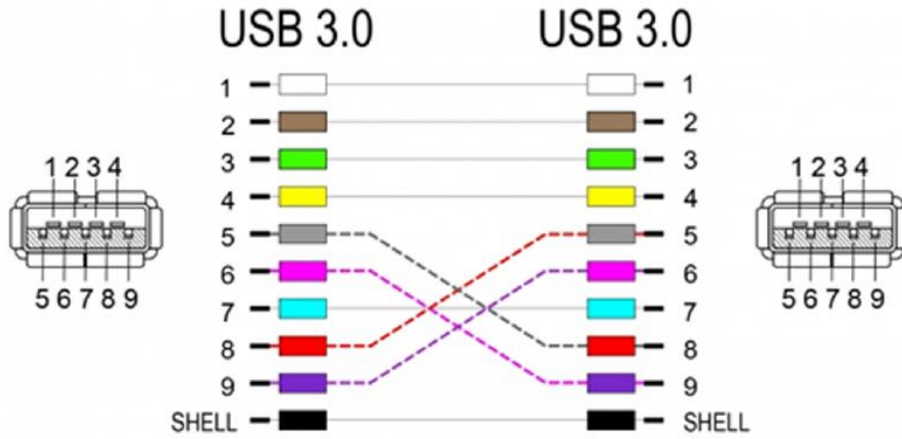
USB 3.0 style keystone coupler type (A type female connectors on the front and back)
Cross-wired to match USB3 A to A standard patch lead (123456789 to 123465798)
Connection from and to USB1.1, USB2.0 and USB3.0
Standard keystone format suitable for panels, adaptors and faceplates
Short, compact coupler to assist with behind panel bend radius issues

Specifications

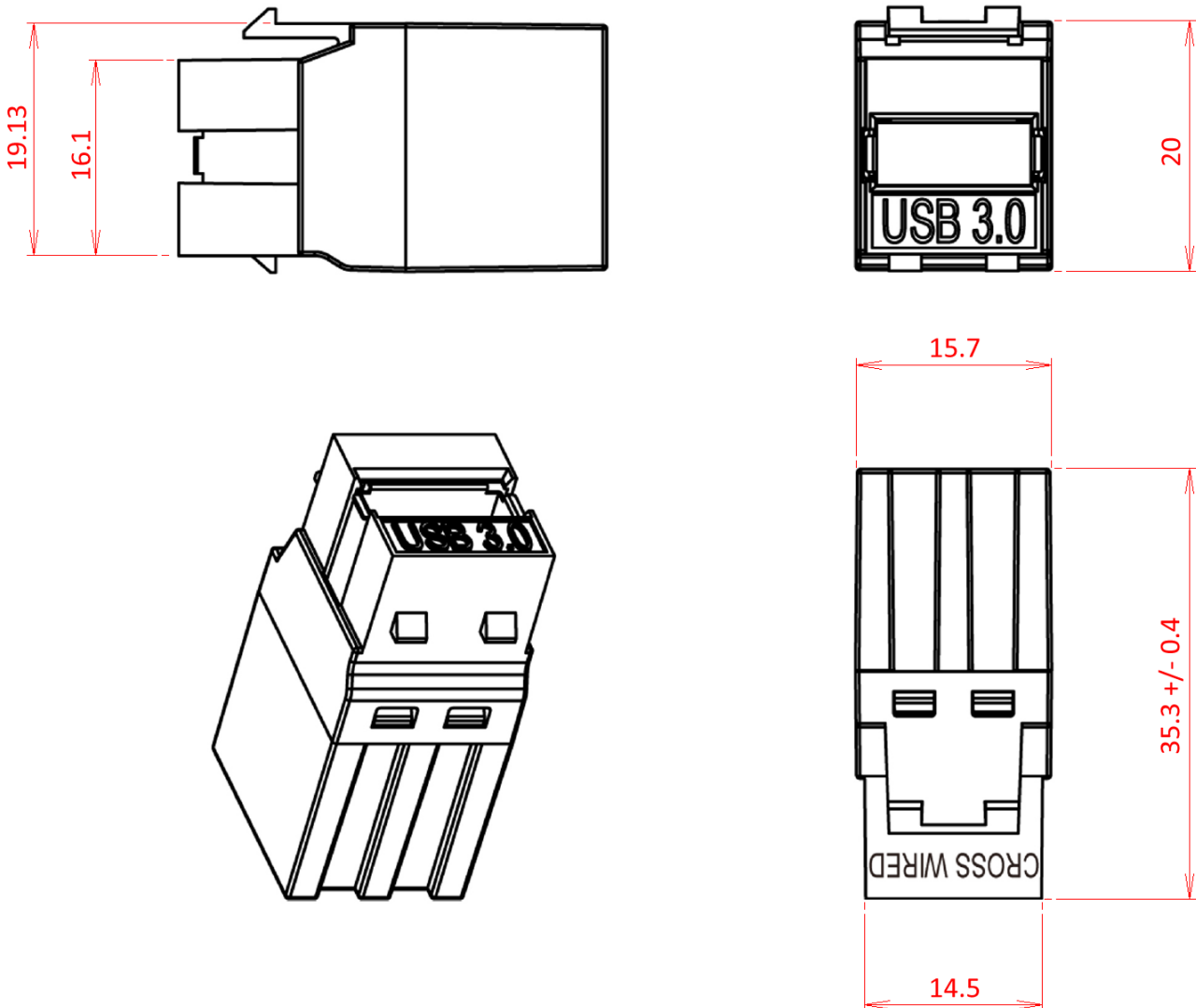
Connector Contacts:	15µm Gold plating
Contact Resistance:	30mΩ max.
Insulation Resistance:	10MΩ min.
Voltage Rating:	30 VDC rms.
Insertion Force:	35N max.
Extraction Force:	10N min.
Durability Ratings:	1500 cycles min.
Operating Temperature:	-20 to +50°C
Storage Temperature:	-40 to +70°C

Dimensions:	35.3 x 15.7 x 20mm approx. (L x W x H)
Weight:	8g approx.
Housing:	ABS UL94V-0
Colour:	black
Connection:	USB3.0 F/F

Wiring Diagram:



Mechanical Diagram:



N.T.S
All Dim in mm