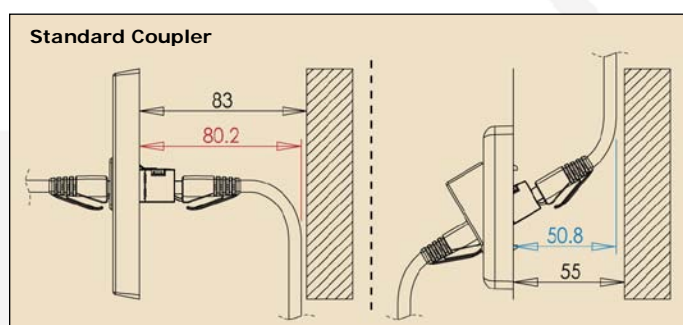
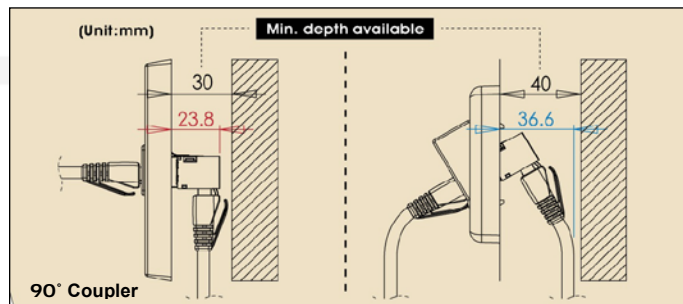


90° Keystone Panel Mount Coupler Category 6



90° Keystone Panel Mount Coupler (SACK90Bk + SACK90Wh + SACK90S)

High performance coupler ideal for use in backboxes and in limited space.

Features

- Slim and very compact design enables use in panels or faceplates where width or depth are restricted
- Designed to fit US industry standard keystone mount outlets wall plates and patch panels
- High performance data throughput, meets Category 6 data transfer rates
- Black, white and shielded and versions available
- Press-fit lead- and solder-free assembly

Specifications

- Dimensions (mm) 36 x 20 x 16.8 approx
- Colour: White or black (unshielded) / Silver (shielded)
- Housing: ABS UL94V-0
- Connectors: 3µ"/0.075µm gold plating on 30µ"/0.75µm palladium on nickel plated phosphor bronze

1	2	3	4	5	6	7																													
ROHS Compliant						<table border="1" style="width:100%; border-collapse: collapse;"> <tr> <td style="width:50%;">Date</td> <td>2010/01/07</td> </tr> <tr> <td>Revision</td> <td>A</td> </tr> </table>	Date	2010/01/07	Revision	A																									
Date	2010/01/07																																		
Revision	A																																		
A	<p>Features :</p> <ul style="list-style-type: none"> • RJ45 complies with FCC part 68 standard • Jack insertion life >750 mating cycles • Operating temperature : -40°C~+60°C <p>Electrical :</p> <ul style="list-style-type: none"> • Contact resistance : 20m ohm • DC Current rating : 1.5Amps • DC resistance : Max. 0.1 ohm • Insulation Resistance : 500m ohm • Dielectric withstanding voltage : 1000V 					A																													
B						B																													
C						C																													
D	<table border="1" style="width:100%; border-collapse: collapse;"> <tr> <th colspan="2">TOLERANCE</th> </tr> <tr> <td>.XXXX</td> <td>---</td> </tr> <tr> <td>.XXX</td> <td>0.10</td> </tr> <tr> <td>.XX</td> <td>0.25</td> </tr> <tr> <td>.X</td> <td>0.38</td> </tr> </table>					TOLERANCE		.XXXX	---	.XXX	0.10	.XX	0.25	.X	0.38	D																			
TOLERANCE																																			
.XXXX	---																																		
.XXX	0.10																																		
.XX	0.25																																		
.X	0.38																																		
TECHNICAL DATA					SACK90Bk																														
<table border="1" style="width:100%; border-collapse: collapse;"> <tr> <td style="width:15%;">CATEGORY</td> <td colspan="4"> <input type="checkbox"/> CAT.5E <input checked="" type="checkbox"/> CAT.6 <input type="checkbox"/> CAT.3 <input type="checkbox"/> OTHER _____ </td> </tr> <tr> <td>HOUSING</td> <td colspan="4">ABS + PC UL94V-0</td> </tr> <tr> <td>SPRING WIRE</td> <td colspan="4">PHOSPHOR BRONZE 3u" AU / 30u" PdNi over 60u" Nickel undercoat *</td> </tr> <tr> <td>COLOR</td> <td colspan="4"> <input type="checkbox"/> WHITE <input checked="" type="checkbox"/> BLACK <input type="checkbox"/> GREEN <input type="checkbox"/> BLUE <input type="checkbox"/> YELLOW <input type="checkbox"/> RED <input type="checkbox"/> ORANGE <input type="checkbox"/> IVORY <input type="checkbox"/> OTHER _____ </td> </tr> <tr> <td>TYPE OF PRODUCT</td> <td colspan="4"> <input checked="" type="checkbox"/> UNSHIELD <input type="checkbox"/> SHIELD : 0.25mm THICKNESS COPPER ALLOY WITH NICKLE PLATED </td> </tr> </table>					CATEGORY	<input type="checkbox"/> CAT.5E <input checked="" type="checkbox"/> CAT.6 <input type="checkbox"/> CAT.3 <input type="checkbox"/> OTHER _____				HOUSING	ABS + PC UL94V-0				SPRING WIRE	PHOSPHOR BRONZE 3u" AU / 30u" PdNi over 60u" Nickel undercoat *				COLOR	<input type="checkbox"/> WHITE <input checked="" type="checkbox"/> BLACK <input type="checkbox"/> GREEN <input type="checkbox"/> BLUE <input type="checkbox"/> YELLOW <input type="checkbox"/> RED <input type="checkbox"/> ORANGE <input type="checkbox"/> IVORY <input type="checkbox"/> OTHER _____				TYPE OF PRODUCT	<input checked="" type="checkbox"/> UNSHIELD <input type="checkbox"/> SHIELD : 0.25mm THICKNESS COPPER ALLOY WITH NICKLE PLATED				<table border="1" style="width:100%; border-collapse: collapse;"> <tr> <td style="width:50%;">ITEM. Keystone Jack</td> <td style="width:50%;"></td> </tr> <tr> <td>DR. Breaker2010/01/07</td> <td>APPD. CHKD.</td> </tr> </table>		ITEM. Keystone Jack		DR. Breaker2010/01/07	APPD. CHKD.
CATEGORY	<input type="checkbox"/> CAT.5E <input checked="" type="checkbox"/> CAT.6 <input type="checkbox"/> CAT.3 <input type="checkbox"/> OTHER _____																																		
HOUSING	ABS + PC UL94V-0																																		
SPRING WIRE	PHOSPHOR BRONZE 3u" AU / 30u" PdNi over 60u" Nickel undercoat *																																		
COLOR	<input type="checkbox"/> WHITE <input checked="" type="checkbox"/> BLACK <input type="checkbox"/> GREEN <input type="checkbox"/> BLUE <input type="checkbox"/> YELLOW <input type="checkbox"/> RED <input type="checkbox"/> ORANGE <input type="checkbox"/> IVORY <input type="checkbox"/> OTHER _____																																		
TYPE OF PRODUCT	<input checked="" type="checkbox"/> UNSHIELD <input type="checkbox"/> SHIELD : 0.25mm THICKNESS COPPER ALLOY WITH NICKLE PLATED																																		
ITEM. Keystone Jack																																			
DR. Breaker2010/01/07	APPD. CHKD.																																		
E	<table border="1" style="width:100%; border-collapse: collapse;"> <tr> <td colspan="2" style="text-align: center;"> TUK Ltd Cat 6 90 degree panel mount coupler </td> <td style="width:10%; text-align: center;">SCALE /</td> <td style="width:10%; text-align: center;"> </td> </tr> <tr> <td style="width:10%;">UNIT</td> <td style="width:10%;">mm</td> <td style="width:10%;">SIZE</td> <td style="width:10%;">A4</td> </tr> </table>					TUK Ltd Cat 6 90 degree panel mount coupler		SCALE /		UNIT	mm	SIZE	A4	E																					
TUK Ltd Cat 6 90 degree panel mount coupler		SCALE /																																	
UNIT	mm	SIZE	A4																																
* = Equivalent to 50u" gold plating																																			
1	2	3	4	5	6	7																													

ROHS Compliant

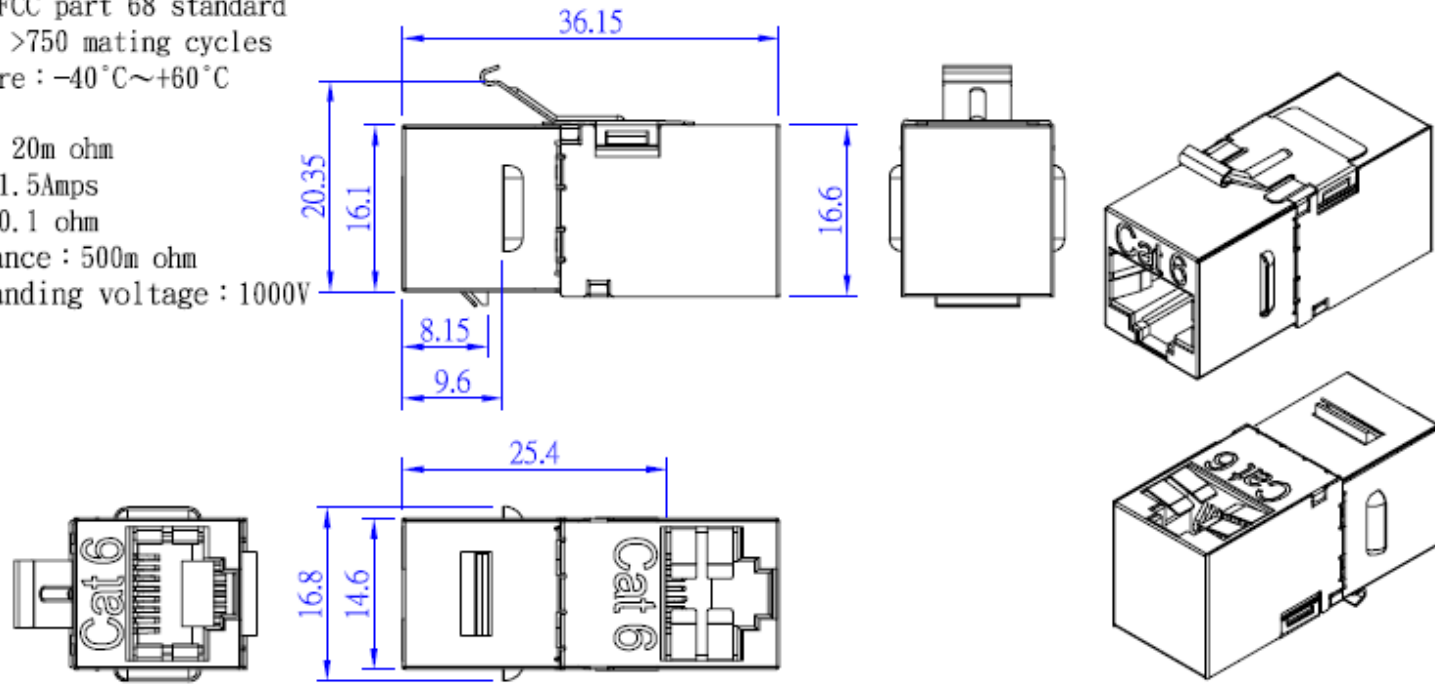
Date	2010/01/07
Revision	A

Features :

- RJ45 complies with FCC part 68 standard
- Jack insertion life >750 mating cycles
- Operating temperature : -40°C~+60°C

Electrical :

- Contact resistance : 20m ohm
- DC Current rating : 1.5Amps
- DC resistance : Max. 0.1 ohm
- Insulation Resistance : 500m ohm
- Dielectric withstanding voltage : 1000V



TOLERANCE

.XXXX	—
.XXX	0.10
.XX	0.25
.X	0.38

TECHNICAL DATA

CATEGORY	<input type="checkbox"/> CAT.5E <input checked="" type="checkbox"/> CAT.6 <input type="checkbox"/> CAT.3 <input type="checkbox"/> OTHER _____
HOUSING	ABS + PC UL94V-0
SPRING WIRE	PHOSPHOR BRONZE 3u" AU / 30u" PdNi over 60u" Nickel undercoat *
COLOR	<input type="checkbox"/> WHITE <input type="checkbox"/> BLACK <input type="checkbox"/> GREEN <input type="checkbox"/> BLUE <input type="checkbox"/> YELLOW <input type="checkbox"/> RED <input type="checkbox"/> ORANGE <input type="checkbox"/> IVORY <input type="checkbox"/> OTHER _____
TYPE OF PRODUCT	<input type="checkbox"/> UNSHIELD <input checked="" type="checkbox"/> SHIELD : 0.25mm THICKNESS COPPER ALLOY WITH NICKLE PLATED
	* = Equivalent to 50u" gold plating

SACK90S

ITEM. Keystone Jack		
DR. Breaker2010/01/07	APPD.	CHKD.
TUK Ltd Cat 6 90 degree panel mount coupler, shielded		
SCALE /		
UNIT mm	SIZE A4	

TUK Ltd, Unit 4, Wimbledon Stadium Business Centre, Riverside Road, London, SW17 0BA